

Water attractions

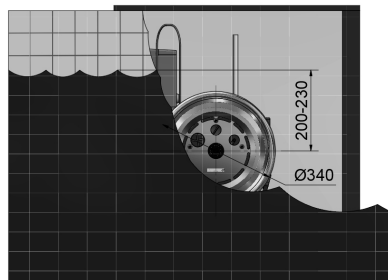
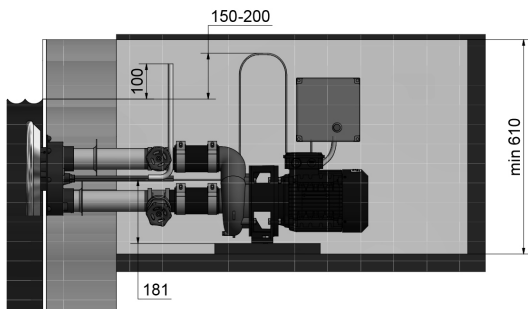


Jet Swim 1200

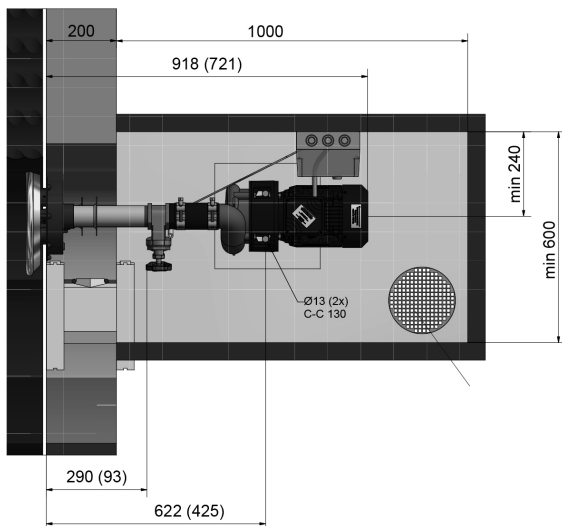
With a motor capacity of 2.2kW and pump capacity of 46 m³/h it is easy for you to train your swimming technique and build up your physical fitness. Start your Jet Swim by pressing a button on the front.

The jet stream are varied in power by rotating the turnable front. Resistance can be changed in three different steps, two for the jet stream and one for the air mixture.

Jet Swim 1200 is also available in 3-phase 230V/50Hz or 460V/60Hz. Contact Pahlén AB for information.



All dimensions in mm. Dimensions within brackets refers to mounting kit item.nr 1301210.



Features

- Bronze and acid proof stainless steel
- Pump capacity at 46 m³/h
- Adjustable water flow
- Adjustable setting of the air mixture
- Polished stainless steel front
- High-class motor

Technical data

Type	Motor	Voltage, 50Hz	Power, 230/400	Pump capacity	Pipe connection	Materials
1200	2.2 kW	230/400 V	8.0/4.6 A	46 m ³ /h	2"	Bronze/stainless steel

A complete Jet Swim consists of jet unit, assembly kit, pump and control box.

Jet Swim 1200

Typ av poolstomme

Item no.	Type	Wood/plastic/ steel with liner	Concrete liner	Concrete pool without liner	Fibreglass/ PP-plastic
33027	Complete unit - concrete			x	
33026	Complete unit - concrete liner		x		
33025	Complete unit - liner	x			
1301200	Jet Swim unit	x	x	x	
1301210	Assembly kit	x			
1301220	Assembly kit		x		
1301230	Assembly kit			x	
1301280	Pump	x	x	x	
1301290	Control box 400/3~	x	x	x	